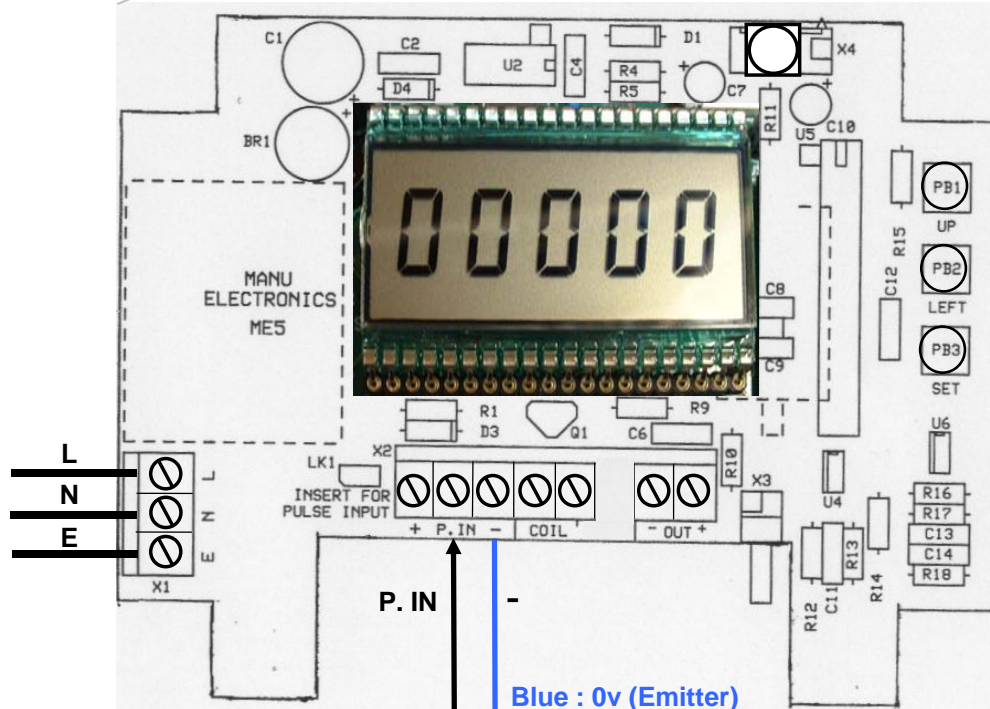


ME5-T-A
resetable Indicator
in Batch Room

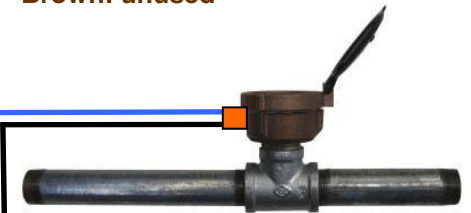


MRPU5-P-GAL25M
flowmeter
at Slump Stand

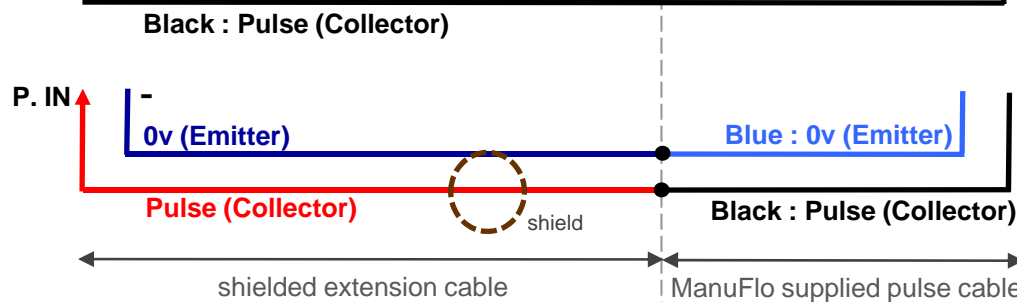


Flowmeter cable:

- Blue : 0v (Emitter / Shield)
- Black : Pulse (Collector)
- Brown: unused



MRPU5-P-GAL25M flowmeter



or
 if adding your own
 shielded extension
 cable (connect
 flowmeter 0v
 to your shield)