

FEATURES

- Durable.
- Mechanical totaliser.
- Optional 1 pulse / Litre Reed Switch contact closure output.
- Accuracy: $\pm 1\%$.
- Multi-jet dry dial type.
- Sizes 20-50mm.
- BSP (male) couplings.



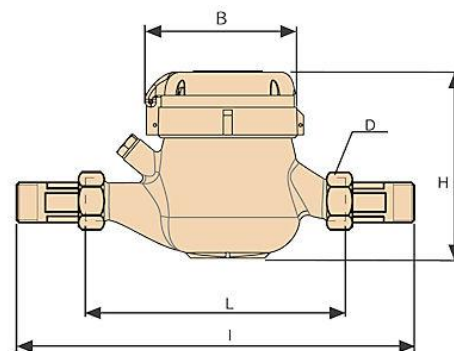
The MBH range of durable water meters is suitable for measurement of hot water up to 90 °C with a working pressure up to 1600 kPa.

The mechanical counter register is positioned for easy reading. Meters do not require onsite calibration.

MBH flowmeters can be fitted with an optional Reed Switch contact closure pulse output (1 pulse / 1 Litre).

SPECIFICATIONS

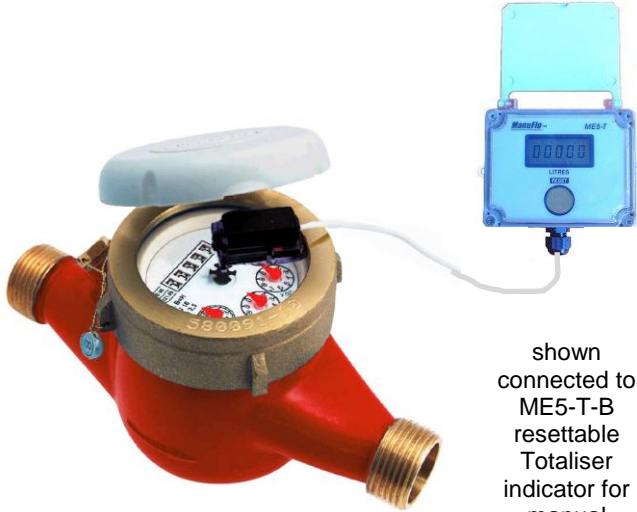
Size mm	20	25	32	40	50
L mm	190	260	260	300	300
I mm	290	360	380	440	460
H mm	111	117	117	153	172
B mm	100	104	104	126	160
D in	1"	1 ¼"	1 ½"	2"	2 ½"
Weight kg	1.45	2.04	2.11	4.58	7.25
Max. Pressure kPa	1600	1600	1600	1600	1600
Min reading L	0.05	0.05	0.05	0.05	0.05
Max. reading kL	100,000	100,000	100,000	1,000,000	1,000,000



ORDER CODES

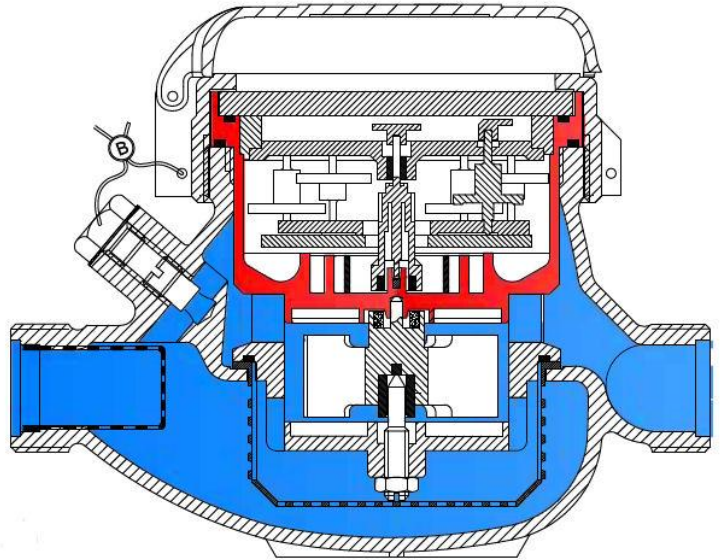
Order Code	size (mm)	Description	Flowrange (L/min)			
			min $\pm 5\%$	min $\pm 1\%$	max $\pm 1\%$	max $\pm 1\%$ #
MBH20	20	Running mechanical total.	1.3	2.1	65	83
MBH25	25	"	2.1	3.4	105	130
MBH32	32	"	3.3	5.3	165	208
MBH40	40	"	5.3	8.5	265	333
MBH50	50	"	8.3	13.3	415	520
MBH20R1	20	Running mechanical total & 1 pulse/Litre Reed pulse output.	1.3	2.1	65	83
MBH25R1	25	"	2.1	3.4	105	130
MBH32R1	32	"	3.3	5.3	165	208
MBH40R1	40	"	5.3	8.5	265	333
MBH50R1	50	"	8.3	13.3	415	520

intermittent peak flowrate

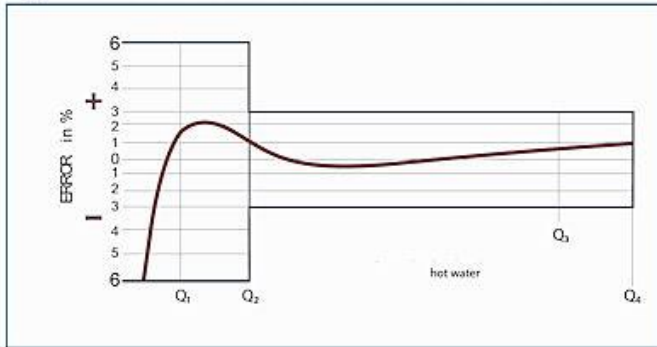


with pulse output option

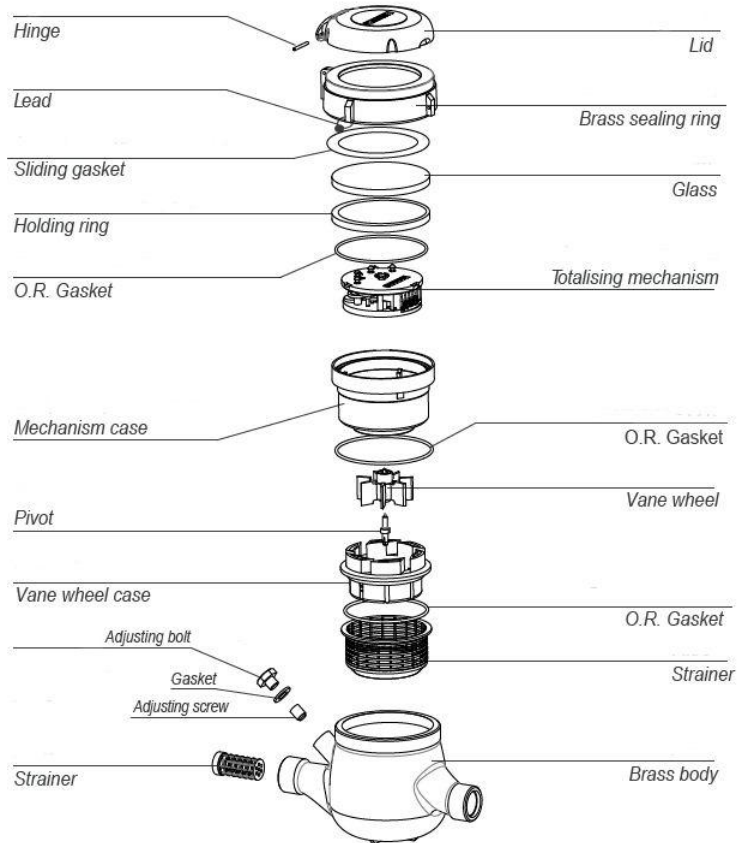
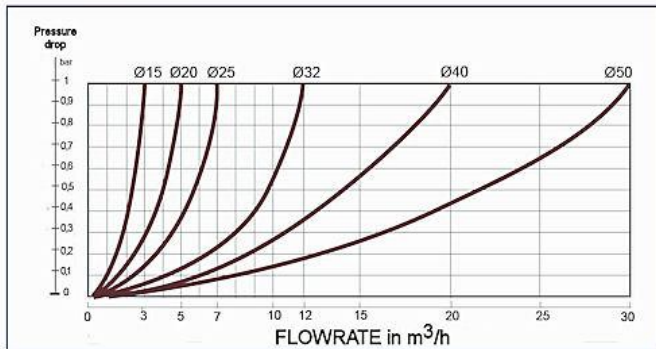
shown connected to ME5-T-B resettable Totaliser indicator for manual batching



Typical error curve of hot water turbine meters



Head loss curve



Due to continuous product improvement, specifications may change without notice.