

# MES SERIES FLOWMETERS - 20, 25, 32, 40 and 50mm sizes

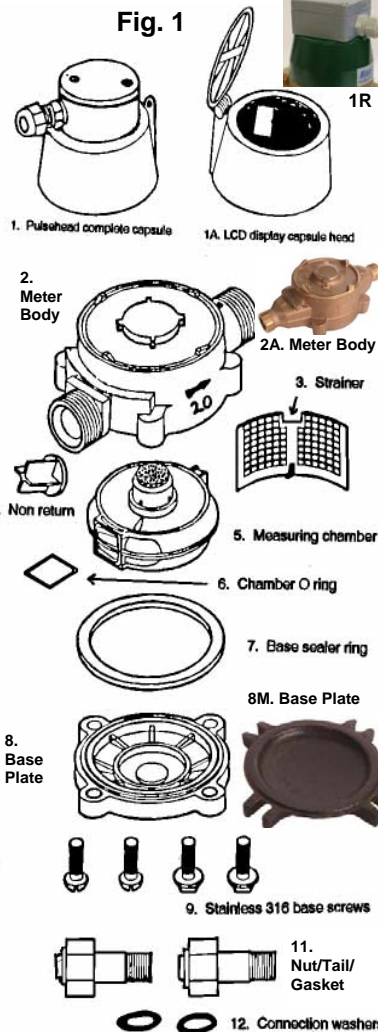
## SPARE PARTS PRICE LIST

from 1 Jan 2011, in AUD\$  
List Price, excluding delivery, and  
excluding (Australia only) 10% GST

### Pulse Output and Digital LCD Resetable models (Fig. 1)

Part No.	Description	20mm	25mm	32mm	40mm	50mm
1	Pulsehead complete NPN output (Round junction box)	305.00	305.00	305.00	305.00	305.00
1R	Pulsehead complete REED output (Square junction box)	305.00	305.00	305.00	305.00	305.00
1A	LCD Litres display capsule	305.00	338.00	338.00	338.00	349.00
1B	LCD Litres dec. pt display capsule	338.00	338.00	338.00	n/a	n/a
2	Meter body(old type) *	n/a	213.00	n/a	n/a	n/a
2A	Meter body(new type, coupling-free)*	126.00	n/a	n/a	n/a	n/a
3	Strainer	4.30	5.40	9.80	14.20	16.23
4	Non-return valve	3.25	5.40	n/a	n/a	n/a
<b>5</b>	<b>Measuring chamber (complete)</b>	<b>49.50</b>	<b>87.20</b>	<b>153.00</b>	<b>246.00</b>	<b>290.00</b>
5-CSM	Measuring chamber (complete), with special chemically resistant magnet	56.90	94.60	160.40	253.40	297.40
6	Chamber O-ring	1.70	4.25	6.50	12.60	13.70
7	Base sealer ring	4.00	5.10	9.80	15.30	17.45
8 or 8M	Base plate (8: plastic, 8M: metal)	32.70	43.10	n/a	n/a	n/a
9	Stainless 316 base screw	1.60	2.15	2.15	4.30	4.30
11	Nut/Tail/Gasket connection kit (pair)	21.80	32.25	43.20	n/a	n/a
12	Connection washer (each)	0.80	1.00	1.10	6.00	8.20
13	Oval flange kit (pair)	n/a	n/a	n/a	54.10	98.00
BC	Chamber and Body (parts 2 to 9)	215.00	325.00	543.00	818.00	1080.00

\* body comes without measuring chamber and without any couplings.



### Internal measuring chamber components (Fig. 2)

Part No.	Description	20mm	25mm	32mm	40mm	50mm
5AAA	Control block assembly with fixed Chamber top	24.50	30.60	41.95	n/a	n/a
5AA	Control block assembly	n/a	15.25	17.40	19.10	26.80
5A	Chamber top only	n/a	n/a	n/a	82.50	136.50
5B	Shutter plate	3.85	4.95	7.10	12.55	16.95
5C	Wobble disc	n/a	n/a	n/a	n/a	n/a
5D	Roller guide pin	2.15	1.65	4.25	10.40	10.40
5E	Chamber bottom only	24.50	25.65	43.15	71.50	136.50
20-5M	Magnet (for 20mm flowmeter only)	3.70	3.70	3.70	3.70	3.70
20-DS	Drive shaft (for 20mm flowmeter only)	3.85	n/a	n/a	n/a	n/a

(1) For pre-1998 MES40 flanged model, use 32mm parts - they are identical.

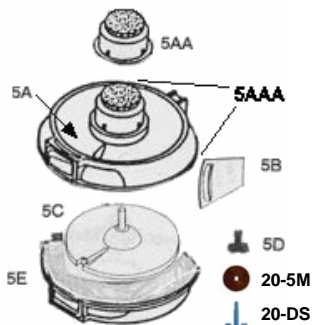


Fig. 2

### Special RYTON-MTL parts for MES20 meters:

Chamber kit complete \$ 125.00

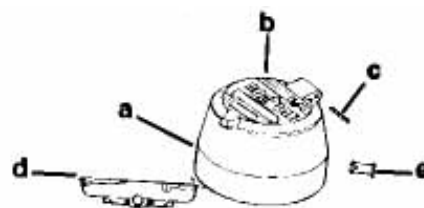
#### Part no: 20-5-S

Comprises: Chamber top/bottom, white spacer, Viton Body and chamber gaskets



### LCD Reset capsule meter parts (Fig. 3)

a	Housing	21.30
bL	Lid with magnet, 20mm no dec pt	14.10
b	Lid with magnet, other models	14.10
c	Hinge pin	0.27
d	Locking plate	8.20
e	Security pin	0.40
f	Magnet (not shown)	2.75
g	Glass lens	9.30



### PCB pulse divider card (MES20 only):

Fixed pulse output options via PCB card insert. Voltage supply +5 to 15VDC only:

-PCB10	10 mls/pulse (100 pulses per litre) ÷ 10	\$ 35.00
-PCB20	20 mls/pulse (50 pulses per litre) ÷ 20	\$ 45.00
-PCB50	50 mls/pulse (20 pulses per litre) ÷ 50	\$ 45.00
-PCB100	100 mls/pulse (10 pulses per litre) ÷ 100	\$ 40.00

**ManuFlo**®™

Flow Measurement & Control Products

Rev: 1104/1

Due to continuous product improvement, prices and specifications are subject to change without notice.

a division of

**MANU ELECTRONICS PTY LTD**

41 Carter Road, Brookvale  
Sydney NSW 2100 Australia

Ph: +61 2 9938 1425, 9905 4324

Fax: +61 2 9938 5852

Web: www.manuelectronics.com.au

Email: sales@manuelectronics.com.au

E & O E