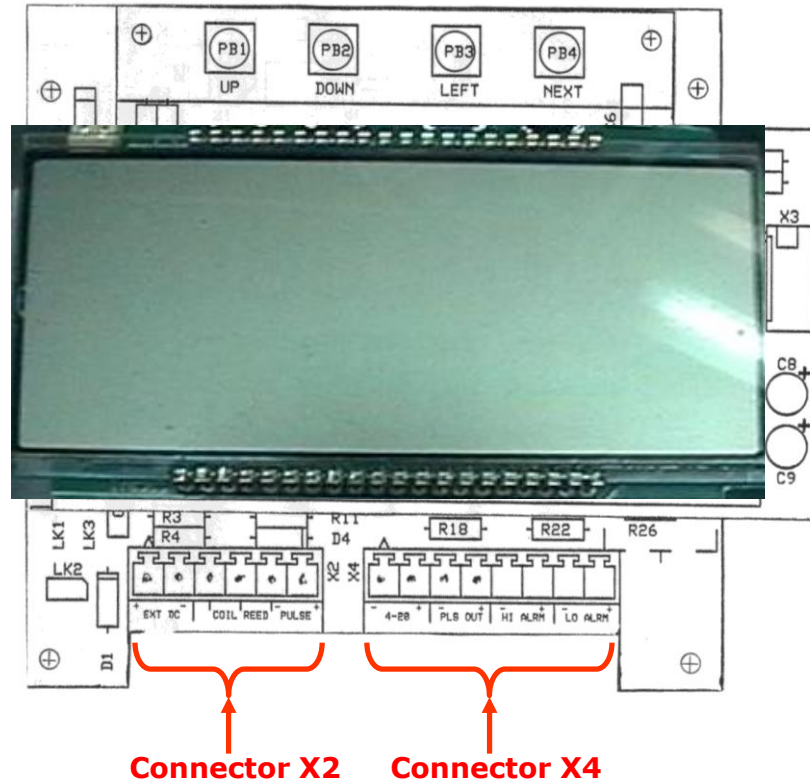
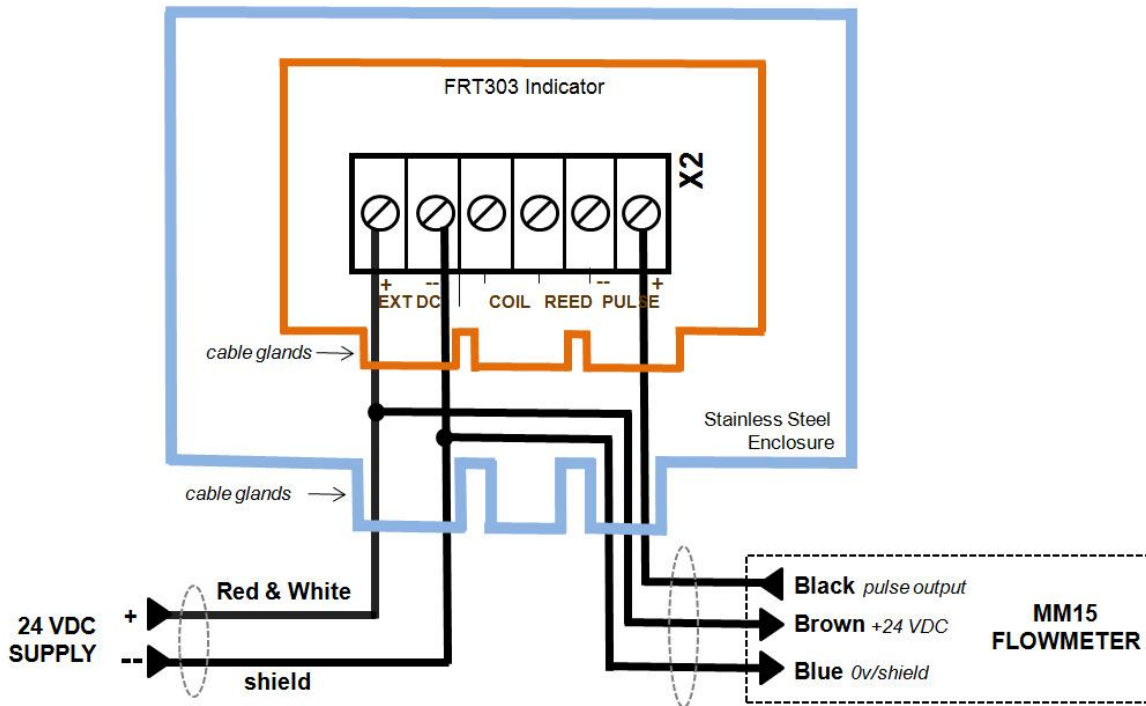


# SCS-MM15 Wiring Information

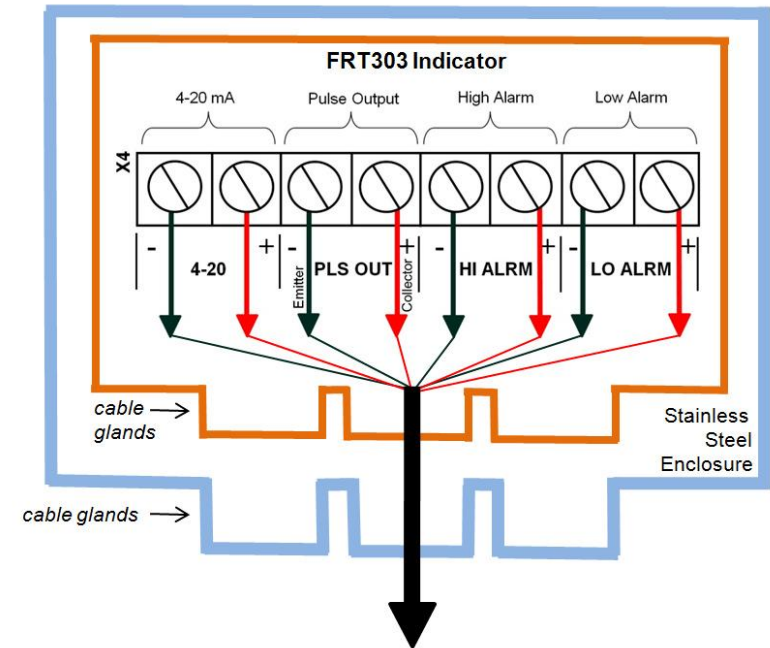


**FRT303 INDICATOR - INTERNAL VIEW**

# SCS-MM15 Wiring Information



**Connecting MM15 Flowmeter, Pulse and 24 VDC supply via Connector X2**



**Connecting optional 4-20mA, Pulse and Alarm outputs via Connector X4**