

Slumpstand reset counter flowmeter

Tested, trialed, proven!

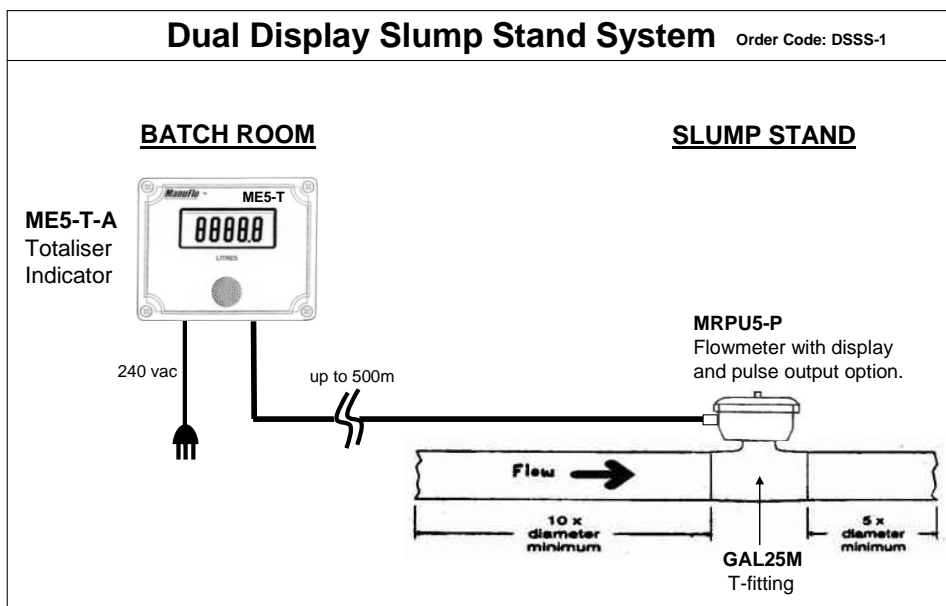


The MRP5-GAL25M 25mm paddlewheel resettable flowmeter:

- resists severe water hammer conditions;
- can measure mild-recycled water, bore water or dirty water without blockage to the paddlewheel;
- can be run at high flow speeds without damage (normal flowrange 18 - 235 Litres/min).

- Closing flowmeter lid resets 5-digit LCD Litres count.
- Paddlewheel made of durable marine grade alloy.
- Calibration Certificate supplied.
- Pulse output option available.
- Virtually no maintenance.
- 1 year warranty.

Update your slumpstand with an MRP5-GAL25M reset flowmeter.



A Dual Display Slumpstand System is also available -- a water measurement system package with a resettable display at the Slumpstand and another resettable display in the Batch Room, so that the Batcher knows how much water is added so that he can enter the quantity on his batch docket.

Quad slumpstand display system also available.

<u>Order Code</u>	<u>Description</u>	<u>List Price (Mar 2015)</u> <u>excluding delivery and GST</u>
MRPU5-GAL25M	Slumpstand flowmeter, 1" BSP(m) threaded ends	\$ 573.00
OR		
DSSS-1	Dual Display Slumpstand System	\$ 1195.00

ManuFlo™ is a 100% Australian-owned company with over 45 years experience in flow measurement products. Due to continuous product improvement, prices and specifications are subject to change without notice.

ManuFlo®™
Flow Measurement Products

web: www.manuelectronics.com.au

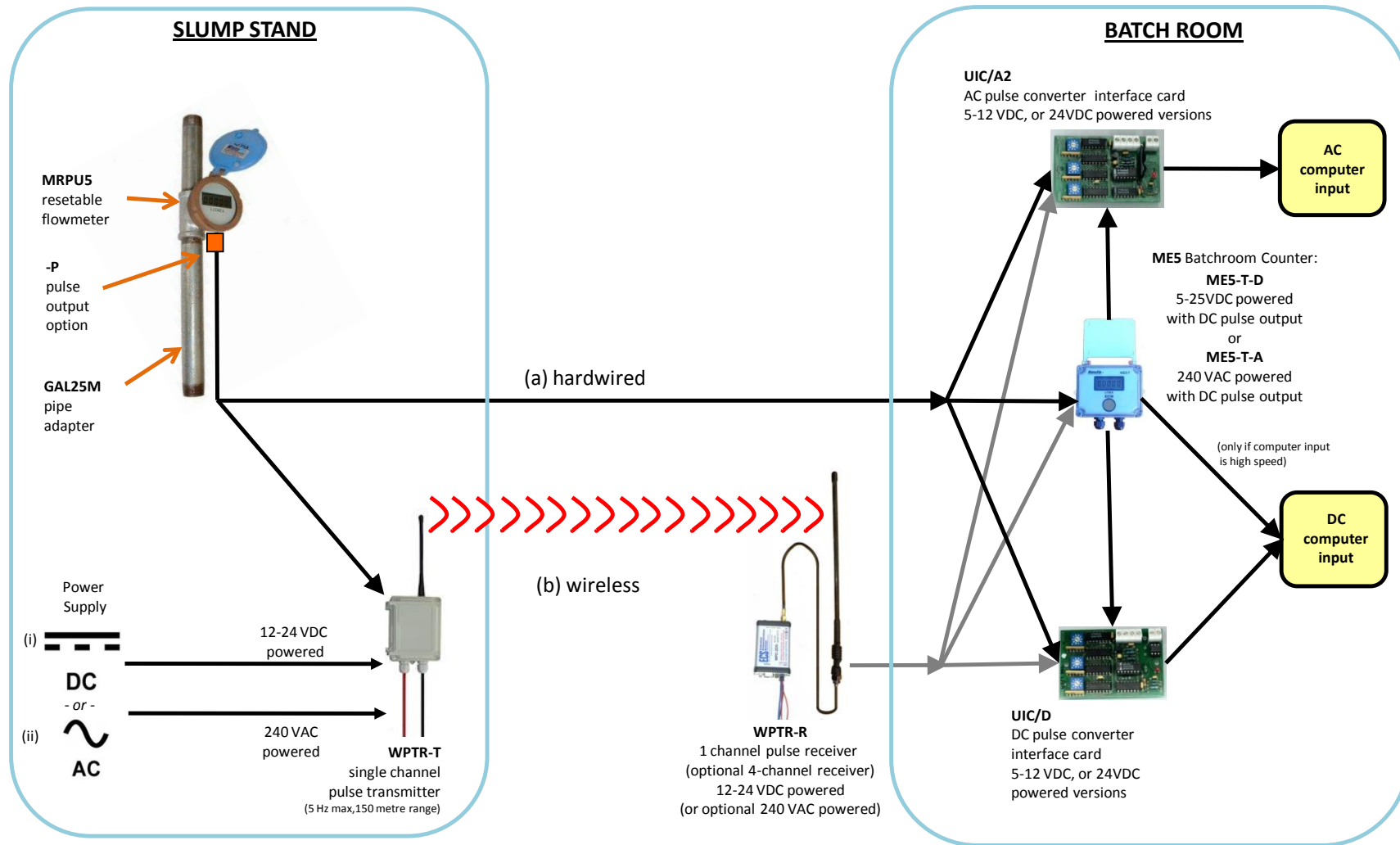
Rev: 1503/1

a division of

MANU ELECTRONICS PTY LTD
Flow Measurement Products
41 Carter Road, Brookvale
Sydney NSW 2100 Australia
Ph: +61 2 9938-1425, 9905-4324
Fax: +61 2 9938-5852

ABN: 47002946303

Slumpstand To Batchroom Options



Slumpstand To Batchroom - Order Codes

Slumpstand

<u>Order Code</u>	<u>Description</u>
MRPU5-GAL25M	25mm resetable flowmeter
MRPU5-GAL32M	32mm resetable flowmeter
MRPU5-GAL40M	40mm resetable flowmeter
MRPU5-GAL50M	50mm resetable flowmeter

Optional

-P	Pulse output (1 pulse/Litre)
----	------------------------------

Wireless

<u>Order Code</u>	<u>Description</u>
WPTR	Wireless pulse transmitter/receiver complete system.
WPTR-T	Wireless pulse transmitter only. 150 metre range. 5Hz maximum input. 1 pulse/Litre output. 12-24 VDC powered.
WPTR-R	Wireless pulse receiver only. 1 channel. (Multi-channel receiver on application) 7 – 28 VDC powered.

Optional Configurations

-T.AC	Transmitter 240vac powered option
-R.AC	Receiver 240vac powered option

Batch Room

<u>Order Code</u>	<u>Description</u>
ME5-T-A	LCD 5-digit reset Totaliser indicator. 1 pulse/Litre pulse output. IP65 enclosure. 240 VAC powered .
ME5-T-D	LCD 5-digit reset Totaliser indicator. 1 pulse/Litre pulse output. IP65 enclosure. 5-30VDC powered .
UIC/D	Universal Interface Card. 5-30 VDC pulse output. 5-12 VDC powered.
UIC/D-24DC	Universal Interface Card. 5-30 VDC pulse output. 24 VDC powered.
UIC/A2	Universal Interface Card. 24-240 vac pulse output. 5-12 VDC powered.
UIC/A2-24DC	Universal Interface Card. 24-240 vac pulse output. 24 VDC powered.