

### FEATURES

- Counter may be rotated through 360°.
- Accuracy  $\pm 2\%$  to Class B. EEC approved.
- Can pass small solids without jamming.
- Low headlosses ideal for gravitational flows
- Optional Pulse Output can be retro-fitted  
RD10: 1 pulse / 10 Litres.
- Ideal as a resettable meter when connected to  
ManuFlo ME5-T-B Indicator.
- Table D flanged ends for process applications.
- Hermetically sealed register (IP68).
- Powder coating affords maximum corrosion protection.
- Not affected by external magnetic fields.



The WPD is a high capacity in-line Woltmann helical rotary type meter with a precision injection moulded measurement mechanism suitable for high and sustained flows associated with bulk metering. Low pressure loss characteristics are due to minimum restriction and no change in flow direction as water flows through the meter.

### Standard Features

The WPD range exceeds Measurement Class 2 requirements of the Australian Standard AS 3565.1-1998 (Meters for cold potable water) in horizontal, vertical and inclined pipelines. The counter can be rotated 360°. Flanges are drilled to Australian Standard AS 2129 Table D. Maximum working pressure is 1600 kPa (PN16. Optional PN25 is available). Maximum working temperature is 50°C.

### Measurement Mechanism

The measurement mechanism provides optimum long term accuracy, extended wear life and reduced maintenance.

The balanced rotor has a specific gravity of 1.0 to minimise bearing loads and reduce friction. This ensures that even the slightest movement of water will be translated to the rotor, giving improved flow sensitivity at low flows.

### Remote / Electronic Reading

All WPD meters can be fitted with pulse output capability, either at time of order or the optional pulse units can easily be retrofitted on site without breaking the calibration seal or interrupting the supply. The reed switch pulse units give 1 pulse per 10 Litres, which can be used for datalogging or to connect to an external resettable Totaliser Indicator e.g. ManuFlo ME5-T-B.

### Materials

All WPD meters are manufactured from the highest quality materials, ensuring maximum resistance to wear and corrosion. The meter body is powder coated for protection in all environments.

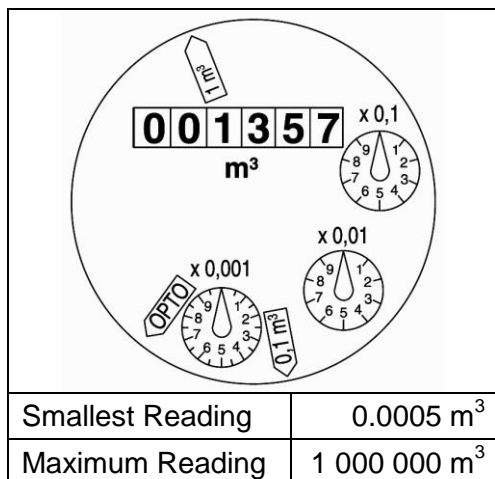
## Options

- Reed switch pulse unit (RD10) for use with data loggers, remote counters and process control equipment.
- Integral mounted or remote battery operated totalising counters with LCD display (ManuFlo ME5-T-B or FRT303-B).
- 125-300mm sizes also available.
- PN25 pressure rating.

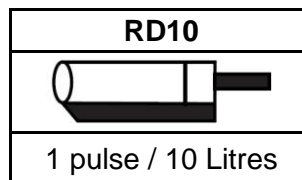


**WPD65-RD10** 65mm meter with pulser wired to **ME5-T-B** LCD resettable counter integral mounted with **BM** bracket. IDEAL FOR CUSTODY WATER TRANSFER APPLICATIONS.

## COUNTER



## OPTIONAL PULSER



## Pattern Approval Sign

D95	Nominal Diameter DN 40 ... DN 300
6.132.36	Marking: Metrological class B 30 °C
D80	Nominal Diameter DN 400
6.132.01	Marking: Metrological class B 30 °C

## Installation

Pipe	horizontal vertical inclined	
Meter head	upwards sideways	

### Installation Requirements

Unrestricted straight pipe in front of the meter 3 x DN (DN400 5 x DN)  
No abrupt restrictions directly behind the meter

**PERFORMANCE TABLE****Performance Data 50 °C**

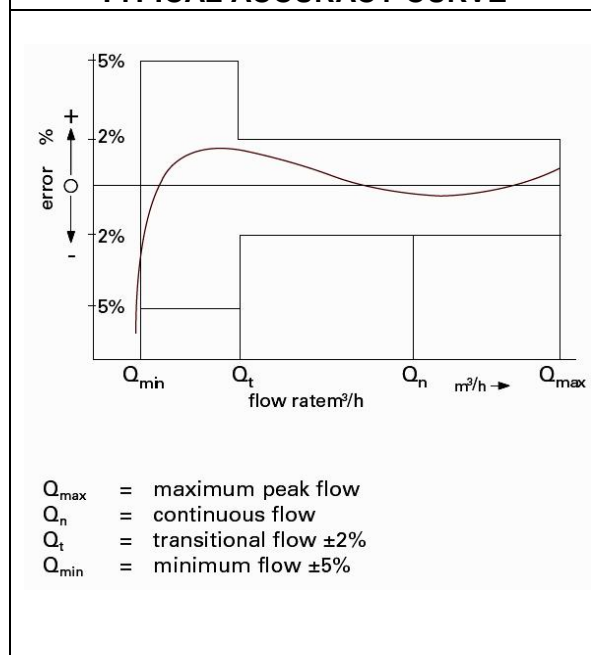
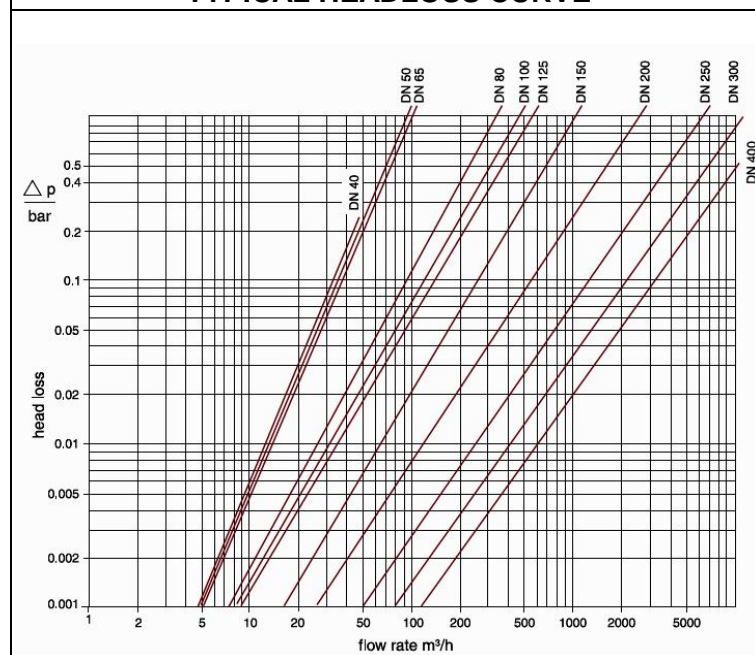
Nominal Diameter		DN	40	50	65	80	100
Size of meter (acc. to EEC)		$Q_n$	10	15	25	40	60
$Q_{max}$	maximum peak flow once in life time 24 h $Q_{max}$ or 5 min. $1,2 \times Q_{max}$ ( $\pm 2\%$ )	$m^3/h$	60	90	120	200	300
$Q_n$	continuous flow ( $\pm 2\%$ )	$m^3/h$	40	50	70	120	230
$Q_t$	transitional flow ( $\pm 2\%$ )	$m^3/h$	0.8	0.7	0.8	0.8	1.8
$Q_{min}$	minimum flow ( $\pm 5\%$ )	$m^3/h$	0.30	0.30	0.40	0.50	0.80
	starting flow	$m^3/h$	0.15	0.15	0.20	0.25	0.25

**Performance Data According to EEC-specification 30 °C Class B**

Nominal Diameter		DN	40	50	65	80	100
Size of meter (acc. to EEC)		$Q_n$	10	15	25	40	60
$Q_{max}$	maximum peak flow short time	$m^3/h$	30	30	50	80	120
$Q_n$	continuous flow	$m^3/h$	15	15	25	40	60
$Q_t$	transitional flow	$m^3/h$	3.0	3.0	5.0	8.0	12.0
$Q_{min}$	minimum flow	$m^3/h$	0.45	0.45	0.75	1.20	1.80

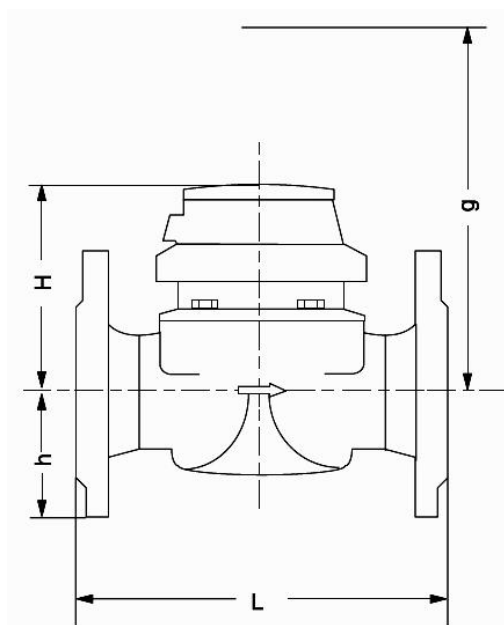
Maximum working pressure	1600 kPa
Maximum working temperature	50°C
Flanges	drilled to Australian Standard AS 2129 Table D

MATERIALS	
Body	cast iron
Measuring element	plastic
Rotor	plastic
Other materials used	brass, stainless steel

**TYPICAL ACCURACY CURVE****TYPICAL HEADLOSS CURVE**

**DIMENSIONS and WEIGHTS**

Nominal Diameter		DN	40	50	65	80	80	100	
Size of meter (acc. to EEC)		Q <sub>n</sub>	10	15	25	40	40	60	
Dimensions	overall length	L	mm	220	200	200	200	225	250
	height	H	mm	120	120	120	150	150	150
		h	mm	69	73	85	95	95	105
		g	mm	200	200	200	270	270	270
Weights	meter	kg	7.4	7.7	10.0	13.6	14.0	18.0	
	measuring element	kg	1.4	1.4	1.4	3.0	3.0	3.0	
	body	kg	6.0	6.3	8.6	10.6	11.0	15.0	

**ORDER CODES**

Flowmeter Order Code	Size
WPD40	40 mm
WPD50	50 mm
WPD65	65 mm
WPD80	80 mm
WPD100	100 mm

Option Order Code	Description
RD10	Reed Switch pulse output, 1 pulse / 10 Litres
ME5-T-B	Resettable 5-digit Totaliser Indicator. IP65 enclosure. Internal Lithium battery powered
FRT303-B	LCD Flowrate, reset Total and Grand Totaliser indicator. IP65 enclosure. Internal Lithium battery powered
BM	Bracket Mount, for integral ME5-T-B/FRT303-B fitout.
-PN25	On application: <ul style="list-style-type: none"> <li>• PN25 pressure rating.</li> <li>• 125 - 300mm sizes.</li> </ul>

Due to continuous product improvement, specifications are subject to change without notice.