

WPTR WIRELESS DUAL DISPLAY SLUMPSTAND MEASUREMENT SYSTEM

Congratulations on choosing a **ManuFlo**®™ (Manu Electronics)
wireless slumpstand measurement system.

Your system comprises:

- MRPU5-P-GAL25M: For slumpstand - 25mm resettable flowmeter with pulse output
 - WPTR: For slumpstand - wireless pulse transmitter, connected to flowmeter
For batch hut - wireless receiver, connected to Totaliser display
 - ME5-T For batch hut - resettable Totaliser display (AC or DC powered version)
 - Other: _____
-

Information sheets included:

1. MRPU5 : flowmeter
2. WPTR : wireless transmitter/receiver
3. ME5-T : Totaliser display

Prior to installation:

- A. Consider a good viewing and operating position, ease of connection, need for any pulse output to a computer, and access to power:
- at the slumpstand for:
 - the transmitter (according to whether the AC or DC powered version); and
 - MRPU5-P-GAL25M flowmeter (internal battery powered); and
 - in the batch hut for:
 - the ME5-T totaliser display (according to whether the AC or DC powered version);
 - the receiver (12-24 VDC, powered from the ME5-T display)
- and install the items.

B. At the slumpstand:

- connect the MRPU5-P-GAL25M flowmeter's output pulse to the transmitter's pulse input:

MRPU5-P-GAL25M flowmeter		transmitter pulse input
BLACK = pulse (Collector)	→	WHITE = pulse
BLUE = 0v (Emitter)	→	SHIELD = 0v/Ground

- connect power to the transmitter's supply input, as marked (either 12-24VDC, or 240 VAC if that version is used).

C. At the batch hut:

- if not using ME5-T (e.g. connecting the receiver's pulses direct to a computer or to a UIC/D interface card), then
 - connect the receiver's pulse output to the alternate device.

- otherwise,

- connect the receiver to the ME5-T totaliser display:

receiver		ME5-T totaliser display
BLUE = pulse out	➔	internal Connector X2, pin 2 (marked "P. IN")
BLACK = 0v / Ground	➔	internal Connector X2, pin 3 (marked "--")
RED = 12-24 VDC	➔	internal Connector X2, pin 1 (marked "+")

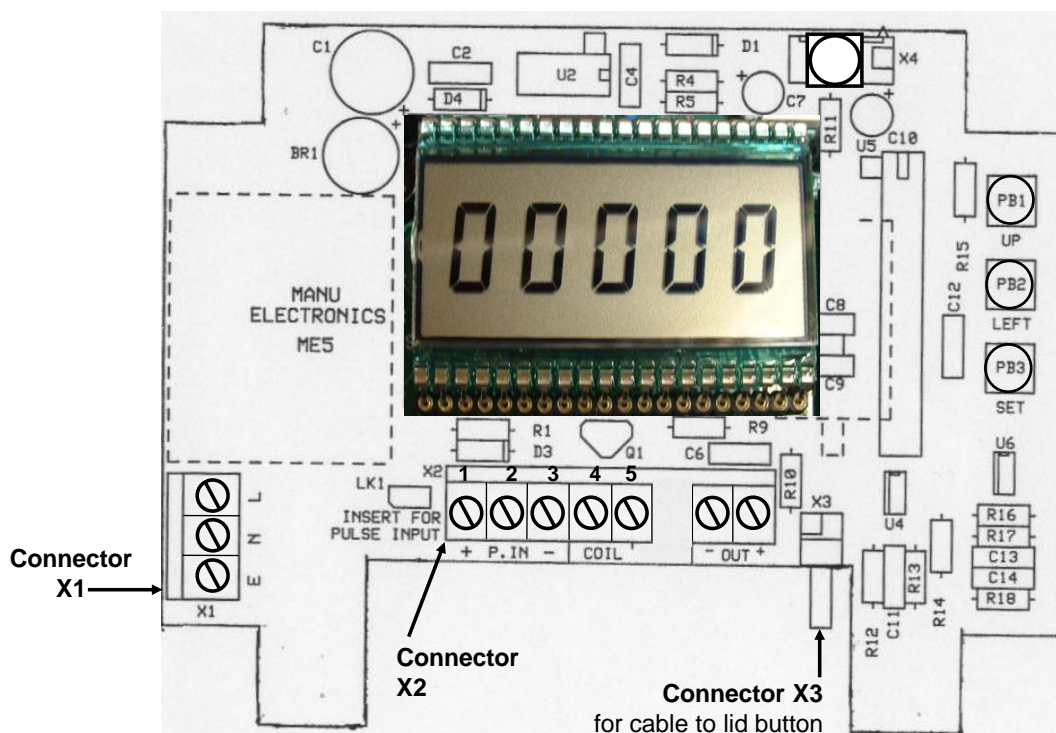
- connect power to the ME5-T totaliser display:

- for AC-powered ME5-T-A:

- connect AC Line, Neutral and Earth to internal connector X1, pins marked L, N and E respectively.

- otherwise, for DC-powered ME5-T-D, connect:

- 5-30 VDC supply to internal connector X2, pin 1 (marked "+"); and
- DC supply 0v/Ground to internal connector X2, pin 3 (marked "--") sharing pins 1 and 3 with the wires from the receiver.



ME5-T internal connectors

If unsure on any aspect of installation or operation, call ManuFlo or your local installer.