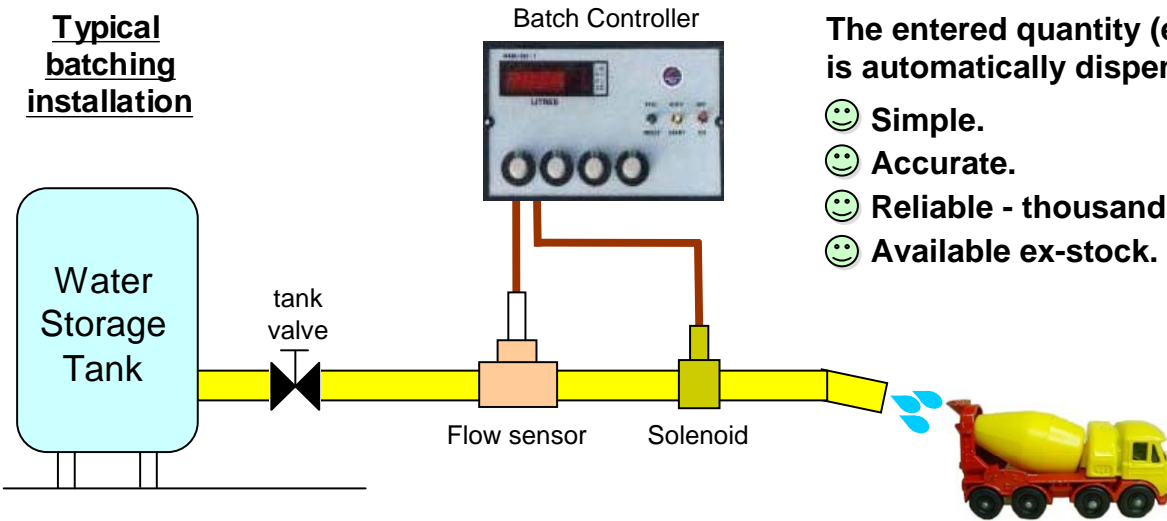


Water Batching Equipment

Typical batching installation



The entered quantity (e.g. 50 L) is automatically dispensed.

- 😊 Simple.
- 😊 Accurate.
- 😊 Reliable - thousands in use.
- 😊 Available ex-stock.

ME995-7 Batch Controller



- simple to use and calibrate.
- set batch quantity via rotary dials.
- select up to 9999 Litres.
- easy to connect/disconnect.

ME3000 Batch Controller



New!

- ideal for outdoor use (IP64 front face).
- set batch quantity via touchpad.
- fully programmable. Many safety features.
- displays in either Litres or millilitres.
- easy to connect/disconnect.
- interchangeable with ME995-7 (same size and connection).

RPFS-P Paddlewheel Flow Sensor



- economical.
- simple insertion flowmeter, with a range of pipe adapters in various sizes and materials.
- easy to clean.
- for fresh or mild recycled water.

FMS Electromagnetic flowmeter



- for heavy recycled water.
- obstructionless bore, virtually maintenance free.
- high level of performance.
- available in various sizes.

ManuFlo®™

Flow Measurement & Control Products

a division of

MANU ELECTRONICS PTY LTD

Rev: 0903/1

41 Carter Road, Brookvale
Sydney NSW 2100 Australia
Ph: + 61 2 9905-4324, 9938-1425
Fax: + 61 2 9938-5852

Web: www.manuelectronics.com.au
Email: sales@manuelectronics.com.au