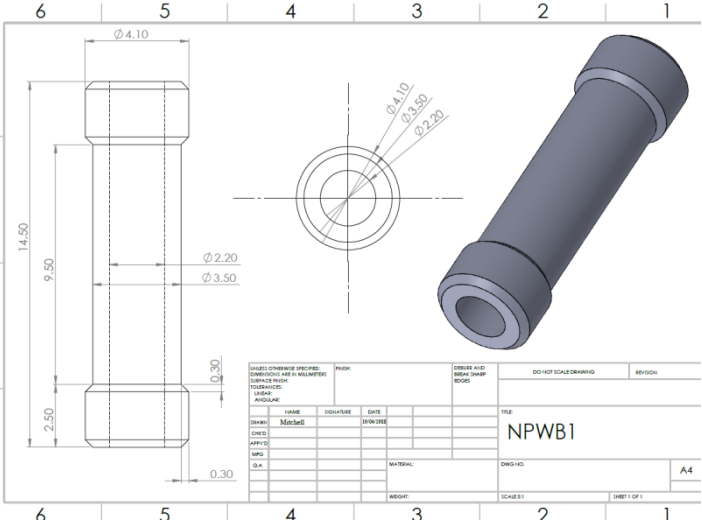


HIGH SPEED FLOWRATES NEW DELRIN SINGLE BLACK BUSH DESIGN for paddlewheel

ManuFlo has introduced a new single bush design for its MRP/MRT/RPFS insertion paddlewheel flow sensors/indicators flowmeter range. It provides enhanced performance for above average flowrate maximum ratings.

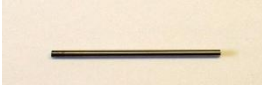
Although a noise can be present at higher speeds the new bush allows accuracies to be maintained when the velocity drops back to nominal rates.

GRADUALLY THIS WILL BE A STANDARD FOR ALL PRODUCTS WITH NEW SINGLE BUSH FITTED.



17-4 PH STAINLESS STEEL

PW-N
Paddlewheel



Tungsten Carbide Axle
Impervious to wearing



Dual Bush



NEW
Single Bush