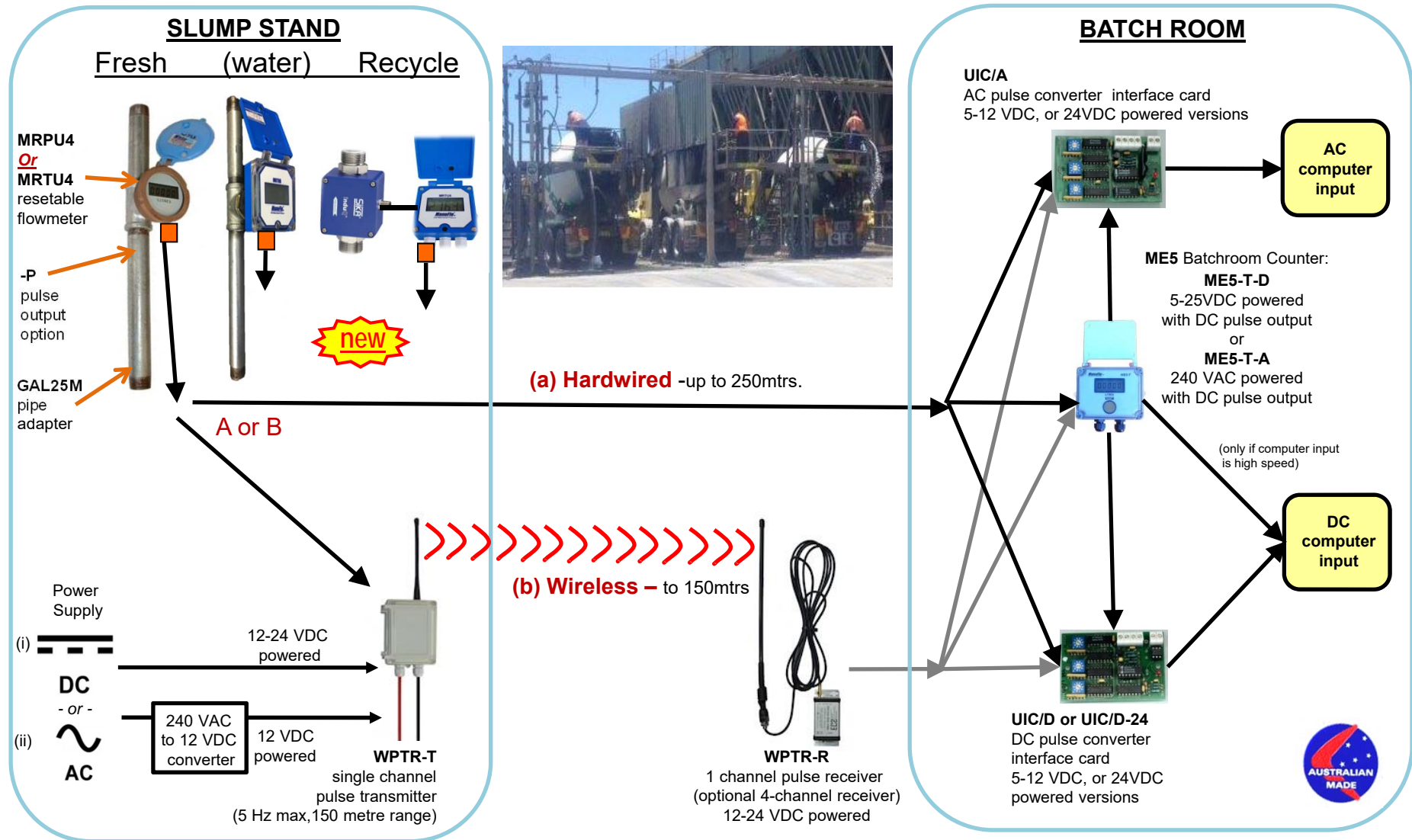
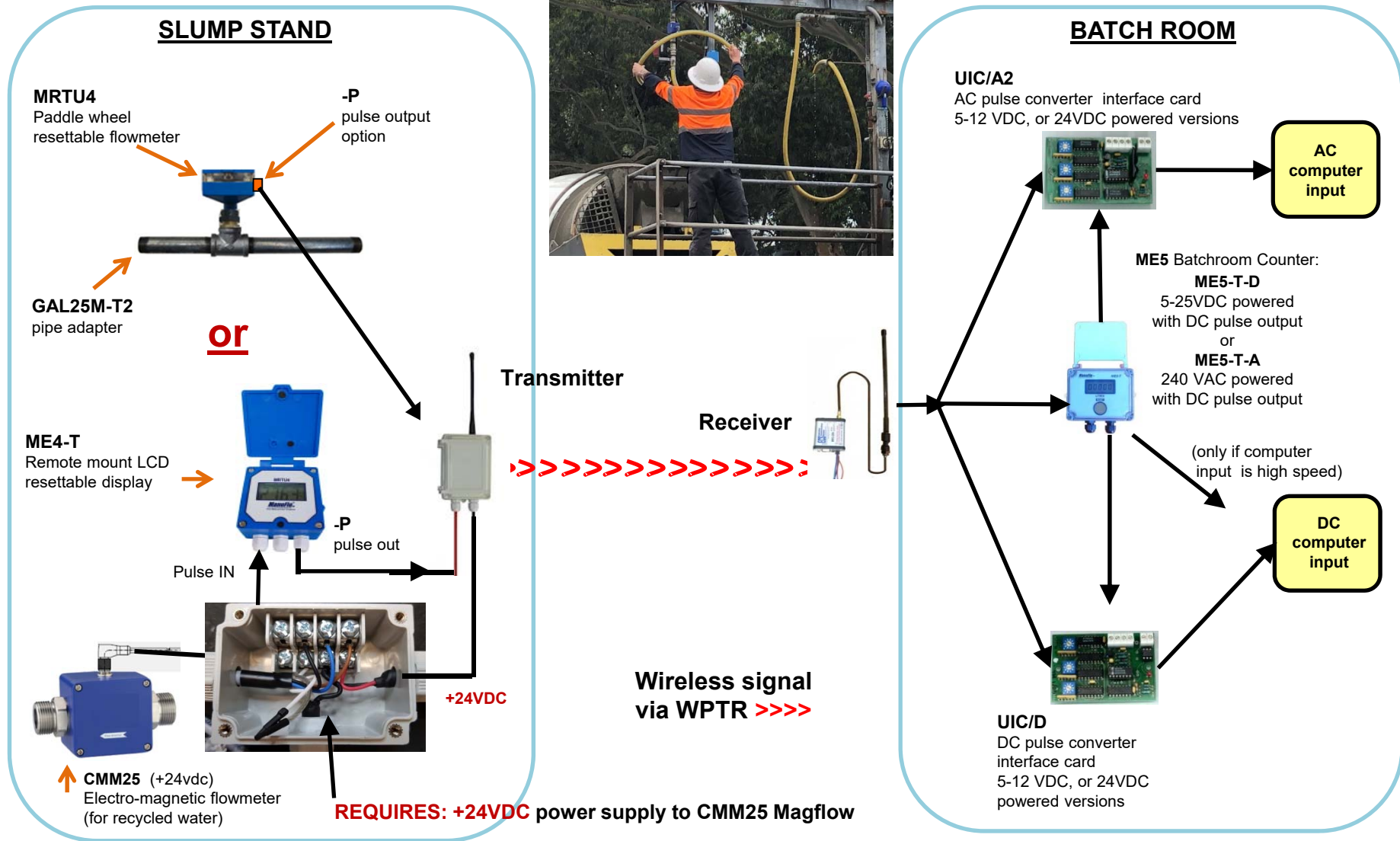


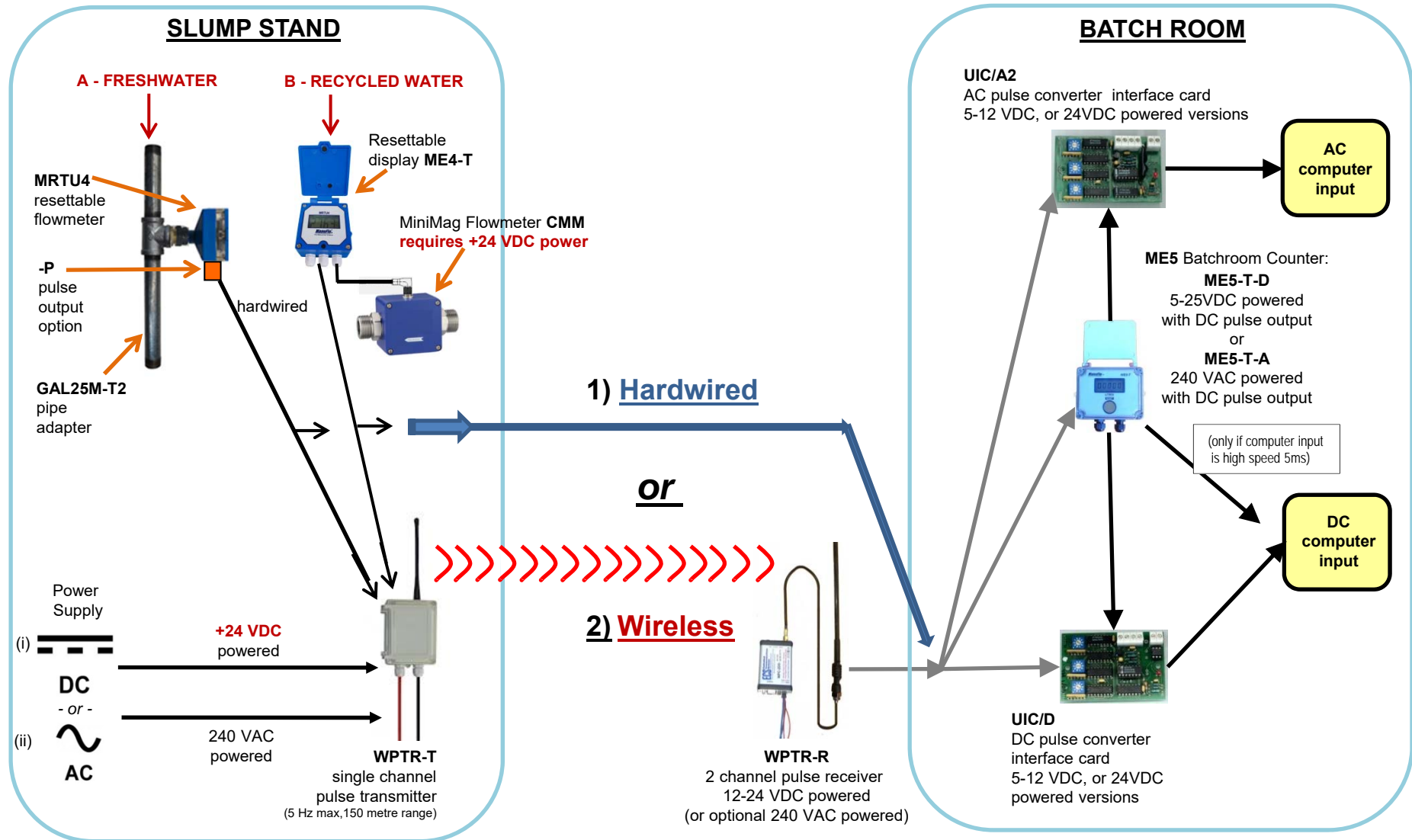
Slumpstand To Batchroom Full Options



WPTR Slumpstand To Batchroom Options (MRT or CMM meters)



Slumpstand To Batchroom Options



Slumpstand To Batchroom - Order Codes

Slumpstand (Option A for Freshwater)

<u>Order Code</u>	<u>Description</u>
MRTU4-GAL25M	25mm resettable flowmeter
MRTU4-GAL32M	32mm resettable flowmeter
MRTU4-GAL40M	40mm resettable flowmeter

Optional

-P Pulse output (1 pulse/Litre)

Slumpstand (Option B for Recycled water)

<u>Order Code</u>	<u>Description</u>
CMM25-ME4-T	25mm MiniMag flowmeter with resettable LCD Display (Magflow is 24vdc powered)

Optional

-P Pulse output (1 pulse/Litre)

Optional Wireless System

<u>Order Code</u>	<u>Description</u>
WPTR	Wireless pulse transmitter/receiver complete system.
WP-T	Wireless pulse transmitter only. 150 metre range. 5Hz maximum input. 1 pulse/Litre output. 12-24VDC powered.
WP-R	Wireless pulse Receiver only 2 channel. 7 – 28 VDC powered.

Optional Configurations

-T.AC	Transmitter 240vac powered option
-R.AC	Receiver 240vac powered option

Batch Room

Order Code Description

ME5-T-A-P LCD 5-digit reset Totaliser indicator.
1 pulse/Litre pulse output.
IP65 enclosure. 240 VAC powered .

ME5-T-D-P LCD 5-digit reset Totaliser indicator.
1 pulse/Litre pulse output.
IP65 enclosure. 5-30VDC powered .

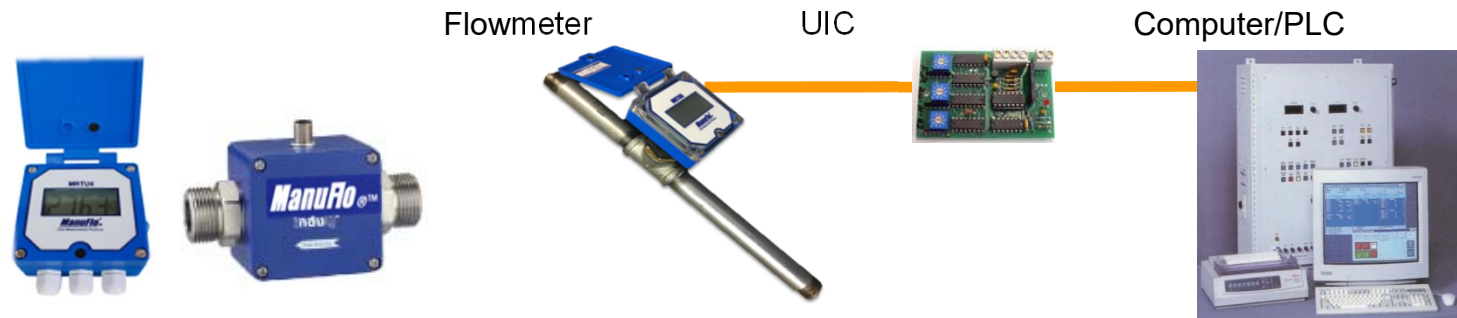
UIC/D Universal Interface Card.
5-30 VDC pulse output., +5-12VDC powered.

UIC/D-24DC Universal Interface Card.
5-30 VDC pulse output., +24VDC powered.

UIC/A2 Universal Interface Card.
24-240 vac pulse output., +5-12VDC powered.

UIC/A2-24DC Universal Interface Card.
24-240 vac pulse output., +24VDC powered.

Interface Cards – UIC for Slumpstand water



When using **MRTU4-P-GAL25** pulse output to PLC inputs the pulse output needs to be boosted via a **UIC** pulse scaling interface card.

1p/1 ltr from flowmeter = HTU 010 = 2ltr/p to square the output **or**

10p/1 ltr from flowmeter = HTU 050 = 1ltr/p output

For a **CMM25** with **ME4-T** display the pulse will feed direct and be scaled by the ME4T output.. This pulse is also boosted by the UIC to PLC input in same manner.

UIC/A2 (+5-12vdc pwr)
(for switching 24-240vac pulses)



UIC/D (+5-12vdc pwr)
(for switching 5-24VDC pulses)



-24D options
24vdc powered

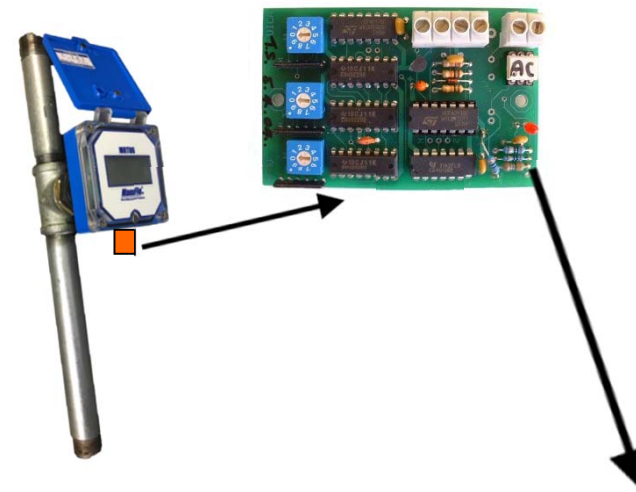


UIC Interface Cards – with MRT/MRP – Scaling outputs

For using with MRP and MRT LCD flowmeters with pulse output option. Output pulses can be scaled in the flowmeter program settings (refer to datasheet).

Default is 1p/1Ltr output. The pulse is 5m/s width and is unable to drive many industrial PLC inputs directly hence using the UIC to boost the output and widen the pulse width.

To feed pulse to PLC set to following chart (x10 input card standard) :



Pulse output from flowmeter	UIC card settings			Ltrs/1pulse output
	H	T	U	
1 pulse / Ltr	0	0	5	1
If the above output is erratic then try the below options;				
1 pulse / Ltr	0	1	0	2
10 pulses / Ltr	0	5	0	1
Note: A new UIC card is in development .				

Final Calibration:

- If the liquid collected is **more** than pulse value shown on computer screen, then **decrease** the rotary decade set value by the same % difference.
- If the liquid collected is **less** than pulse value shown on computer screen, then **increase** the rotary decade set value by the same % difference.
- Note: Final calibration can also be performed via computer software scaling.