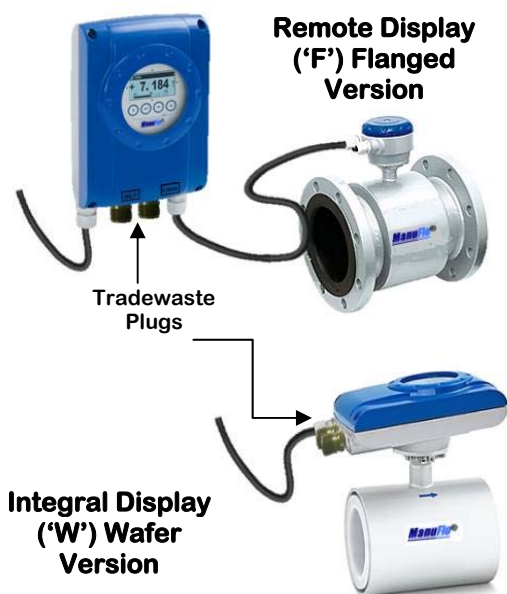


FEATURES:

- ◆ Fitted with Sydney Water Tradewaste plugs (Sampler and mA outputs).
- ◆ For waste water, bore water and irrigation (upto 10% solids).
- ◆ Unsurpassed accuracy to $\pm 0.5\% \geq 0.5$ m/s with repeatability of $\pm 0.1\%$.
- ◆ Integrated verification, diagnostic function and empty pipe detection.
- ◆ Fully wired and programmed for simple installation and start-up.
- ◆ Power supply option: 85 - 253 VAC or 17 - 31 VDC powered.
- ◆ Modern robust housing design with bright graphic display.
- ◆ Programmable via 4 internal push buttons or via magnetic wand.
- ◆ Totaliser up to 10 digits with Flowrate display and status page.
- ◆ Integral display version directly mounted to the sensor tube or Remote display wired via 2 metres cable (can be longer on request).
- ◆ Flanged version with Hard Rubber liner & Hastelloy C electrodes
Wafer version with PFA liner & Hastelloy C electrodes.
- ◆ Protection category: IP66 / 67 (NEMA 4/4X/6) standard.
- ◆ Measured liquid conductivity: $\geq 5 \mu\text{S/cm}$ ($\geq 20 \mu\text{S/cm}$ for water).
- ◆ Process temperature: -5 to 80 °C (HR liner) -25 to 120 °C (PFA liner) .
- ◆ Virtually maintenance free with no moving parts.
- ◆ Grounding earth ring supplied.



With no moving parts and an obstruction-less bore, the **KMS502F-TW** tradewaste flowmeter (wired, programmed, tested and supplied by ManuFlo) guarantees the highest level of performance, unaffected by specific gravity or viscosity variations, or the most contaminated of fluids, whilst maintaining a high degree of accuracy over a very wide flowrange.

A unique integrated verification and diagnostic function feature has been implemented in KMS flowmeters, providing ultra-stable performance over time.

Your chosen ManuFlo KMS flowmeter will be fully programmed, wired, calibrated and wet-tested on our internal flow test rig facility. When you choose your tradewaste flowmeter from ManuFlo, simplicity of installation is assured.

CALIBRATION OF TRADEWASTE MEASUREMENT FLOWMETER

Pre-delivery calibration

All flowmeters are calibrated at the ManuFlo factory, with pumped or gravity fed water, using a Water Board designed weir tank rating facility cross-referenced with a load cell (certified to NMI standard) and Magmaster flowmeter verification system.

Field calibration

After the flowmeter has been installed, Sydney Water (or your local authority) will require an on-site verification check.

The verification of calibration for a trade waste flowmeter should be checked once a year.



Size (mm)	Order Code Integral Wafer	Order Code Integral Flanged	MINIMUM Flowrate		MAXIMUM Flowrate
			(Litres/minute) @ $\pm 1\%$ accuracy *	(Litres/minute) @ $\pm 0.5\%$ accuracy	(Litres/minute) @ $\pm 0.5\%$ accuracy
25	KMS501-025W-TW	KMS502-025F-TW	1.5	14.7	295
40	KMS501-040W-TW	KMS502-040F-TW	10.0	100	667
50	KMS501-050W-TW	KMS502-050F-TW	13.0	133	1050
80	KMS501-080W-TW	KMS502-080F-TW	21.7	267	2666
100	KMS501-100W-TW	KMS502-100F-TW	33.3	417	4167
150	KMS501-150W-TW	KMS502-150F-TW	83.0	1050	10500
200	n/a	KMS502-200F-TW	133.0	1666	16667

*measures at lower flowrates, but at reduced accuracy

OPTIONS	
-R	Remote wired display/transmitter with 2m cable (can be longer on request).
-TW	Sydney Water Tradewaste sampler plugs (for other authorities on request).
-TWR	As above but with wall mountable version plugs via 2 metres cable.
- DC	11 – 31 Vdc powered
-XCn	Extra cable (where n in Product Code = extra cable length in metres)

ACCESSORIES	
OSC-I	On-site calibration check, as required by Sydney Water after flowmeter installation and then at least yearly.
TWSPS	Tradewaste sampler pulse output splitter
ANSI-150 PVC or Galvanized Iron flange connection kits available	

Measured value	
Primary measured value	Flow velocity
Secondary measured value	Volume flow

Design	
Features	Integrated verification
	Diagnostic function
	Empty pipe detection
Display version	Remote [Wired]
	Integral [Compact]
Sensor nominal diameter	DN25 to DN200

Display and user	
Display	LC display, 10 digits counter
Operation	4 internal push buttons or via magnetic wand
Display information	Flow rate Forward counter Reverse counter

Input and output	
Pulse output	Passive
	$U_{ext} \leq 32 \text{ VDC}$, $i \leq 100 \text{ mA}$
Pulse width	Default: fixed 500 ms
4 – 20 mA output	Active
	$U_{int, nom} = 20 \text{ VDC}$ $i \leq 22 \text{ mA}$, $R_L \leq 750 \Omega$
Communication interface	HART [®]

Measurements		
Measuring units	Volume	Default setting: m^3
		Selectable: litre
	Flow rate	Default setting: l / s
		Selectable: litre/min

Operating conditions	
Chemical properties	Waste water Bore water Irrigation water
Electrical conductivity	Standard: $\geq 5 \mu\text{S/cm}$
	Demineralized water: $\geq 20 \mu\text{S/cm}$
Process temperature	-5 to 80°C (Flanged version) -25 to 125°C (Wafer version)
Solid content [volume]	$\leq 10\%$
Operating pressure	Up to 1600 kpa (232 psi)
Pressure loss	Negligible

Measuring accuracy	
Maximum measuring error	Up to $\pm 0.1\%$ @ $\geq 0.5 \text{ mm/s}$
Repeatability	$\pm 0.1\%$ ($v \geq 0.5 \text{ m/s}$)

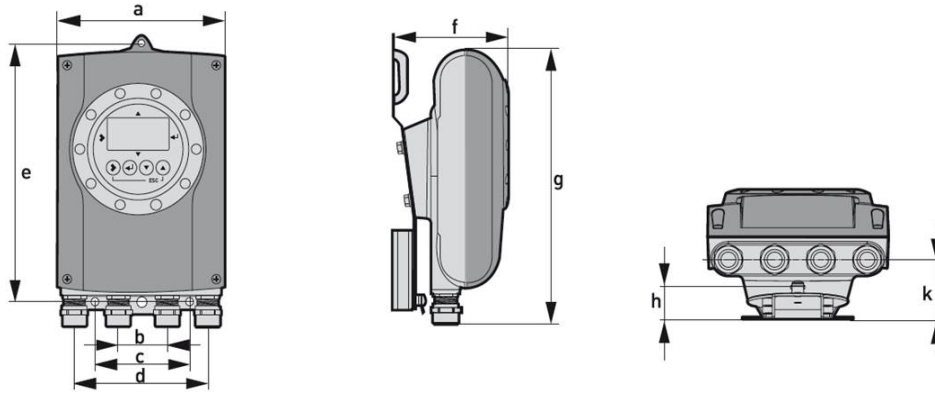
Electrical connections	
Power supply	85 – 253 VAC [50/60 Hz]
	17 – 31 VDC
Power consumption	AC: 15 VA
	DC: 5.6 W
Signal cable	Standard: 2 metres
	Optional: up to 100 metres
Cable entries	M20 x 1.5 [8...12mm]

Materials	
Display housing	Aluminium with polyester topcoat
Sensor housing	Sheet metal
Measuring tube	Austenitic stainless steel
Liner	Hard Rubber 'F' version PFA 'W' version
Protective coating	Polyurethane coating
Connection box	Only for remote versions
	die-cast aluminium
Measuring electrodes	Hastelloy [®] C
Grounding rings	Stainless steel

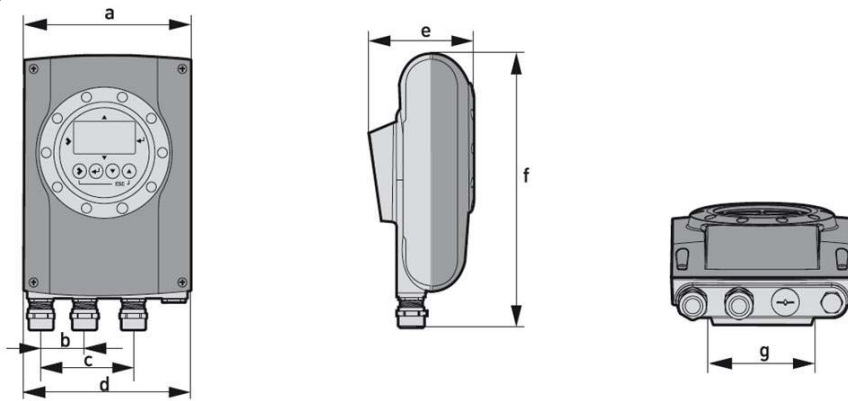
Installation conditions	
Installation	Assure that the flow sensor is always fully filled.
Flow direction	Forward and reverse
	Arrow on flow sensor indicates flow direction
Inlet run	$\geq 5 \text{ DN}$
Outlet run	$\geq 2 \text{ DN}$
Dimensions and weights	Please refer to <i>Dimensions and Weights</i> on page .

Approvals and standards	
CE	The manufacturer certifies that these requirements have been met by applying the CE marking.
Protection category	Standard: IP66 / 67 (NEMA 4/4X/6)

Display housing

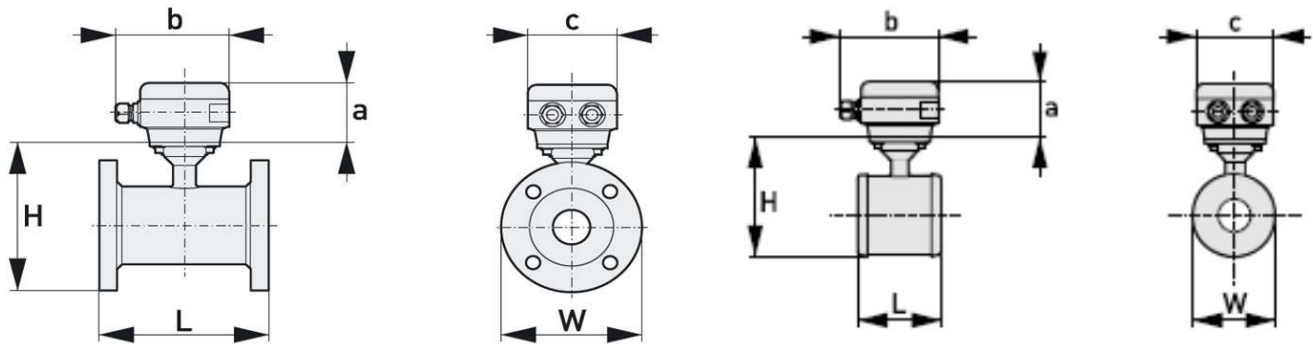


Version	Dimensions [mm]									Weight [kg]
	a	b	c	d	e	f	g	h	k	
Remote	157	40	80	120	248	111.7	260	28.4	51.3	3.3 kg



Version	Dimensions [mm]							Weight [kg]
	a	b	c	d	e	f	g	
Integral	157	40	80	148.2	101	260	95.5	1.8

Flow sensor



Flanged Version

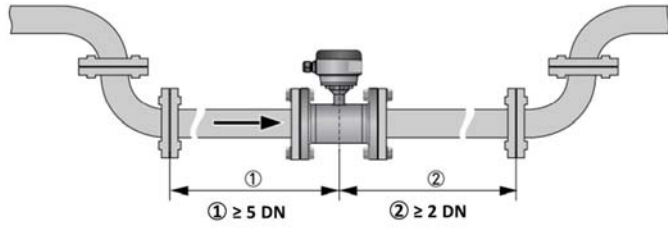
Wafer Version

Nominal size DN [mm]	Flanged Version Dimensions [mm]						Approx. weight [kg]*
	L	H	W	a	b	c	
25	150	140	115	88	139	106	5
40	150	166	166	88	139	106	7
50	200	186	186	88	139	106	11
80	200	209	209	88	139	106	14
100	250	237	237	88	139	106	15
150	300	300	300	88	139	106	27
200	350	361	361	88	139	106	34

Nominal size DN [mm]	Wafer Version Dimensions [mm]						Approx. weight [kg]*
	L	H	W	a	b	c	
25	54	147	66	88	139	106	1.7
40	78	162	82	88	139	106	2.6
50	100	151	101	88	139	106	4.2
80	150	180	130	88	139	106	5.7
100	200	207	156	88	139	106	10.5
150	200	271	219	88	139	106	15.0

*Approx weight of sensor body only

Straight Pipe Requirements



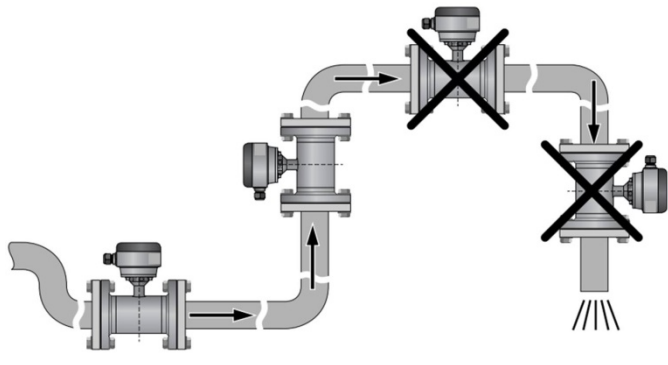
To ensure accurate measurement:

- Pipe must be full at all times
- Must have straight pipe of length $> 5x$ pipe diameter upstream of sensor and also straight pipe of length $> 2x$ pipe diameter downstream of sensor.

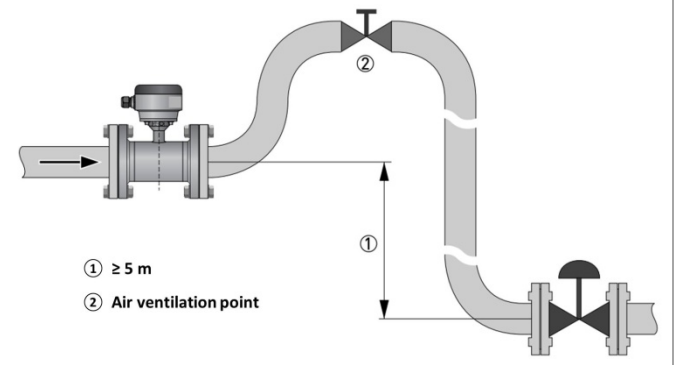
e.g. 50mm flowmeter requires

at least 250mm of straight 50mm \varnothing pipe upstream, and at least 100mm of straight 50mm \varnothing pipe downstream

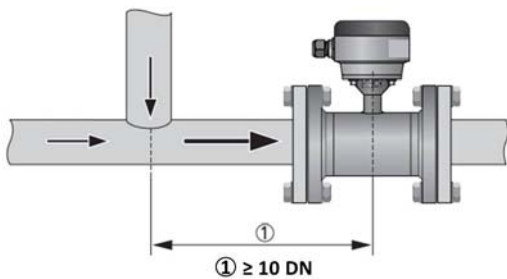
Installation on bending pipes



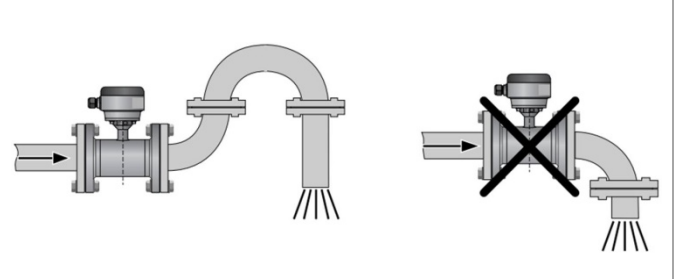
Air venting



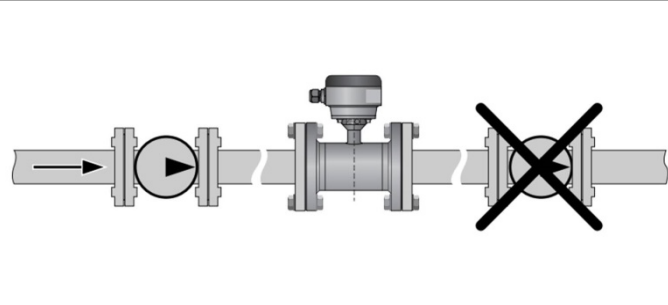
T - section



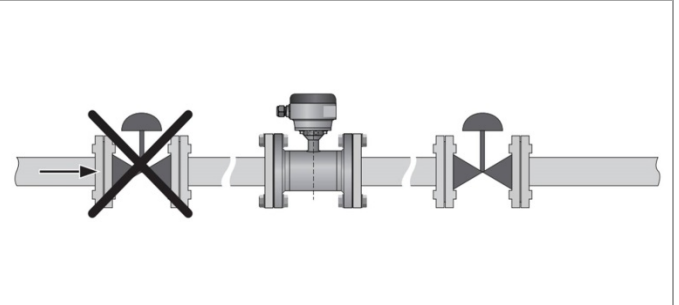
Installation in front of an open discharge



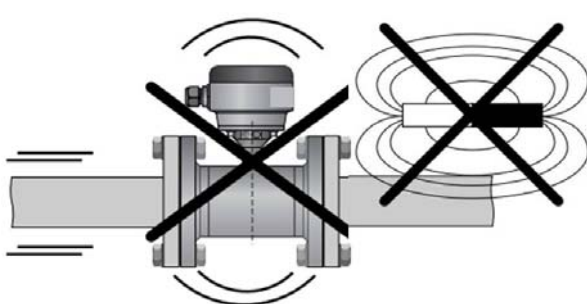
Installation behind a pump



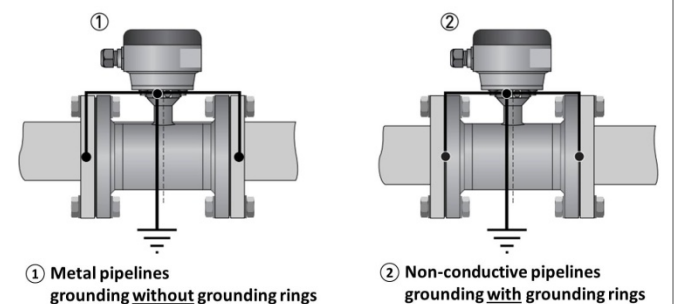
Installation in front of a control valve



Avoid vibrations and magnetic field



Grounding



① Metal pipelines grounding without grounding rings

② Non-conductive pipelines grounding with grounding rings

KMS Electromagnetic Flowmeter Installation Guide and Checklist

LOCATION

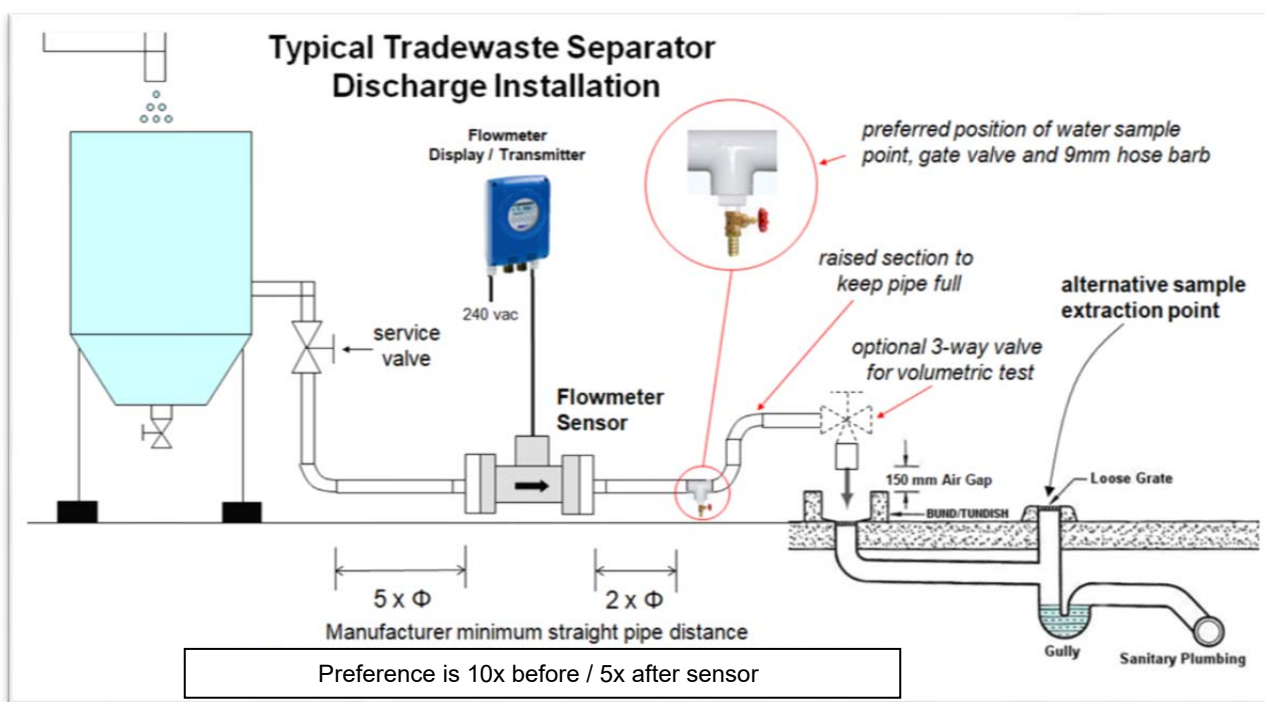
To avoid vibration that may hinder correct flow readings, support the weight of the flowmeter sensor.	<input type="checkbox"/>
Mount the flowmeter's display box in an area that allows easy access for reading.	<input type="checkbox"/>
If mounted outdoors: <ul style="list-style-type: none"> • Install a sunshade, to protect the display box from direct sunlight; and • Consider if you need to install a lockable vandal-proof enclosure, preferably with a window for reading the display. 	<input type="checkbox"/>
To ensure correct flow readings, avoid installing the flowmeter sensor in the vicinity of strong electromagnetic fields , and avoid areas where there is excessive vibration .	<input type="checkbox"/>
Ensure that the chosen location will allow the flowmeter to operate within its environmental rating .	<input type="checkbox"/>

ELECTRICAL

Have the appropriate power supply (e.g 85-253vac or 17 -31 VDC) available.	<input type="checkbox"/>
Units in most cases come prewired between sensor and transmitter/display box, otherwise ensure proper colour coding is used when wiring signal cable.	<input type="checkbox"/>
If unsure regarding wiring of outputs – call ManuFlo. Use cable glands provided and make sure they are properly tightened and sealed. Allow for a drip loop before the gland to prevent ingress into the transmitter.	<input type="checkbox"/>

PLUMBING

Install the flowmeter sensor in a section of pipe that is full at all times , to ensure correct flow readings.	<input type="checkbox"/>
To prevent turbulence in the flow that may hinder correct flow readings, ensure that there is straight pipe before and after the sensor , of length at least: <ul style="list-style-type: none"> • 5x pipe diameter before (upstream of) sensor; and • 2x pipe diameter after (downstream of) sensor. e.g.50mm dia. pipe, lengths of straight pipe required are at least 5x50mm=250mm before & 2x50mm=100mm after sensor. WARNING: Be sure to earth the system properly i.e. PVC pipe use SS316 earthing, STEEL pipes use earth strap to pipe NOTE: Allow sample point either extraction from gully or via 9mm hose barb as per picture.	<input type="checkbox"/>
Install any gaskets and bonding cables according to the type of pipe.	<input type="checkbox"/>



Note: detailed installation instructions are in the Manual provided with the flowmeter.

Due to continuous product improvement, specifications are subject to change without notice.

AC Direct Powered



Integral display flowmeter:

- The display is mounted on top of the flowmeter sensor fitted in the pipeline.
- The display must be in a position to be easily read and accessible to be able to configure and interrogate via the display buttons.
- AC mains power can be used to power the unit. If AC power is not available or is difficult to access at the flowmeter location, then the DC-powered flowmeter option can be taken up. ManuFlo have available an AC-to-DC power pack adaptor to run a safer low-voltage DC to the flowmeter.

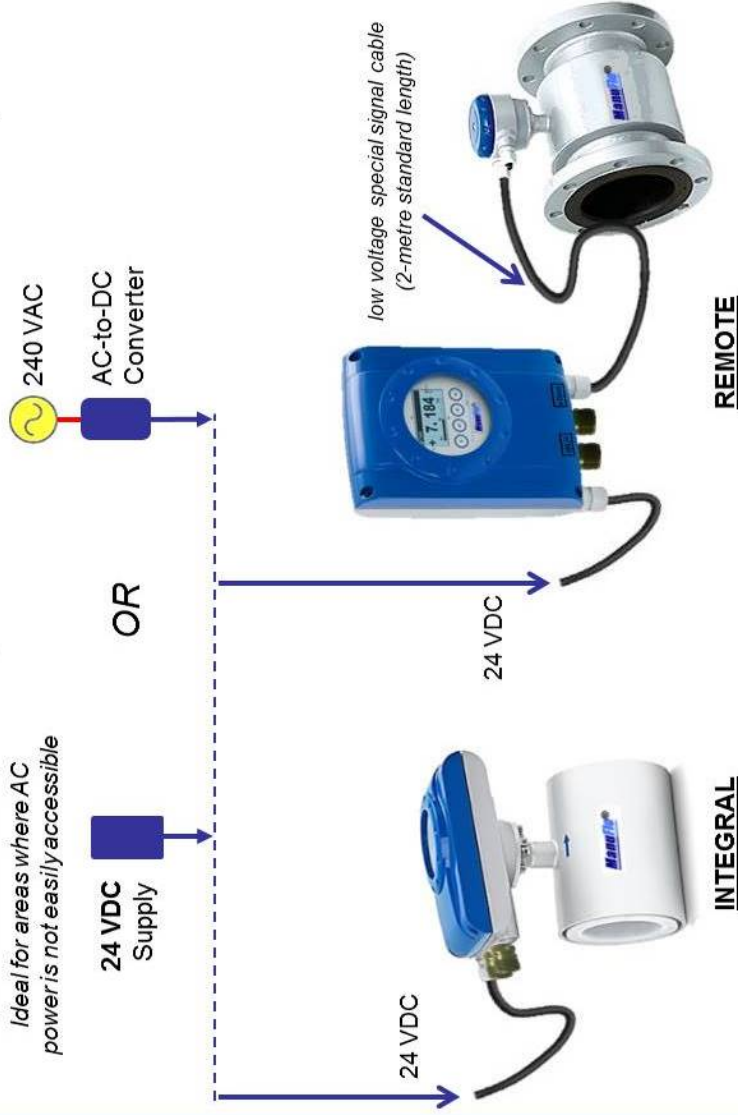
DC Powered, Direct

Ideal for areas where AC power is not easily accessible



OR

DC Powered, via 240VAC-to-24VDC Converter



Remote display flowmeter:

- Where an integral display cannot be easily accessed, then the remote display option is chosen.
- The display unit is separate to the sensor, and is connected to the via a low voltage signal cable (standard 2-metre length provided by ManuFlo).
- The display unit is mounted in an easily viewable and accessible position, and can be powered by AC or DC supply.