

# KSS / KMM - Multi-jet totaliser flowmeters

with optional pulse output

Sizes - 15, 20, 25, 30 and 40 mm

## FEATURES

- Multi-jet impeller measurement.
- Mechanical counter register.
- Pulse output option, Ideal as a resetable meter fitted to ME5 or data to PLC.
- Models for 50°C and 90°C.
- Passes small solids without jamming.
- Low headlosses ideal for gravitational flows.
- Screwed ends with couplings.



KMM multijet water meters operate on the velocity principle where water enters the measuring chamber and drives the inner rotor. Versions are available for cold and hot water. A volt-free reed switch pulse output with 2 metre lead is incorporated (optional) with the mechanical counter register. The register is waterproof and vacuum sealed to avoid condensation. The meters are pre-calibrated for horizontal positions. The meters must measure liquid full at all times. The mechanical counter rollers numbers show cubic metres, with pointers dials indicating Litres.

## SPECIFICATIONS

	Model Number:	KSS15-R	KSS20-R	KMM25-R	KMM30-R	KMM40-R
Size	mm	15	20	25	30	40
Pulse output rate	Litres/pulse	1 litre	1 litre	10 litres	10 litres	10 litres
Mechanical register	Litres min.	0.2	0.2	0.2	0.2	0.2
Mechanical register	M <sup>3</sup> max.	10000	10000	100000	100000	100000
Starting flow rate	Litres/hour	10	14	18	20	30
Minimum flow	Qm ±5% LPM	0.42	0.85	1.2	1.7	3.4
Transitional flow	Qt ±2% LPM	1.7	3.5	4.7	6.7	13.5
Nominal flow	Qn ±2% LPM	25	41	58	100	166
Maximum flow	Qs ±2% LPM	50	82	110	200	333
Weight with couplings	kg	0.8	1	2.5	2.9	4.4

**ORDERING CODE:** To order mechanical display only (No pulse), omit '-R' code. e.g. KSS15

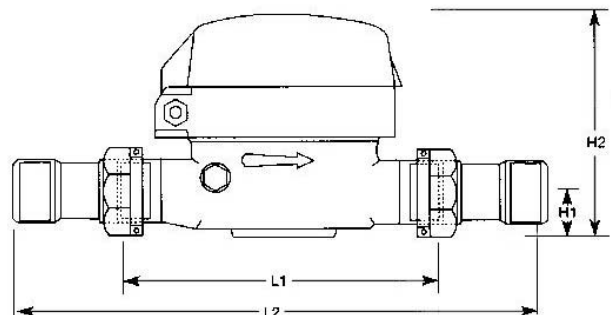
**PRESSURE:** Max.operating pressure is 1000kPa (10bar). Headloss @Qs <1bar. Headloss @Qn<0.25bar. Maximum flowrate is for intermittent use only. Nominal flow is continuous flow usage.

**PULSE UNIT:** Reed switch pulse Vmax:24V. Imax:200mA. Pmax:4W. Cable: 2 core termination. 1.5m long.

**MATERIALS:** Body: copper alloy. Chamber: polystyrene/polyamide. O-ring: elastomer/nitrite.

## DIMENSIONS (mm)

Model No:	KMM15	KMM20	KMM25	KMM30	KMM40
Length L1	115	115	260	260	300
Length L2	200	207	365	371	431
Height H1	19	19	47	47	58
Height H2	88	88	137	137	147
Width	84	84	100	100	122



**ManuFlo**®™

**Flow Measurement & Control Products**

a division of

**MANU ELECTRONICS PTY LTD**

ABN: 47 002946303

Rev: 0512/1

41 Carter Rd, Brookvale NSW 2100  
Sydney Australia

Ph: + 61 2 9905-4324, 9938-1425

Fax: + 61 2 9938-5852

Web: [www.manuelectronics.com.au](http://www.manuelectronics.com.au)

Email: [sales@manuelectronics.com.au](mailto:sales@manuelectronics.com.au)